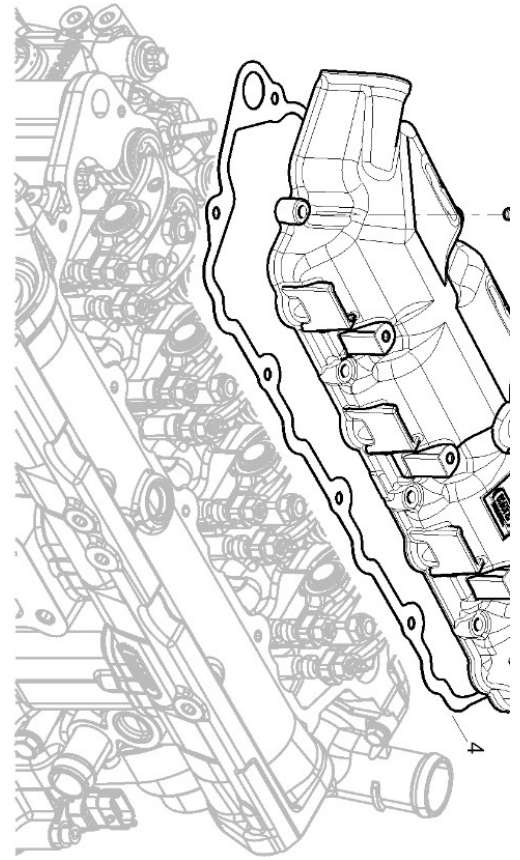
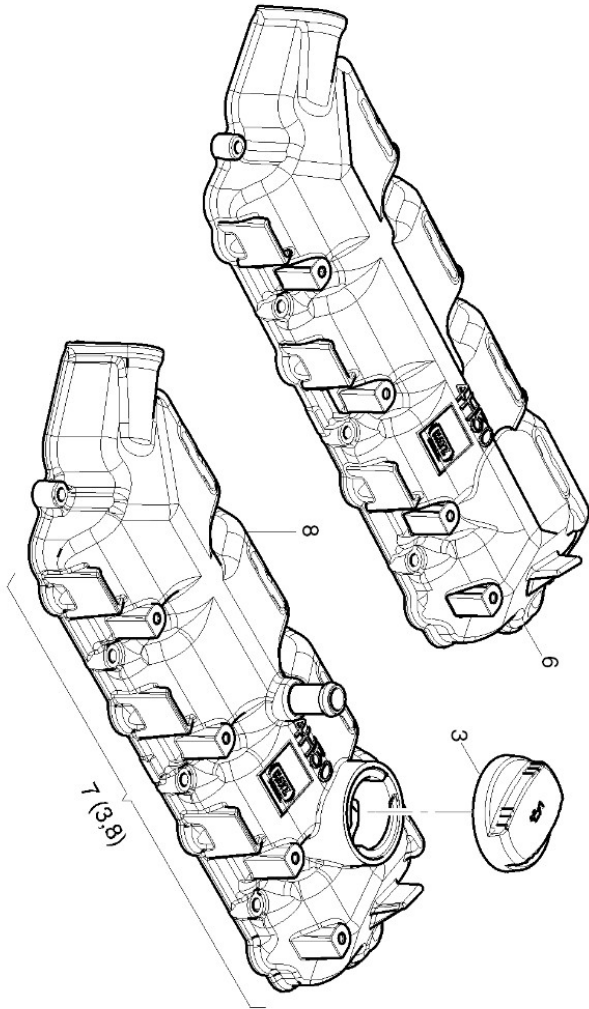


M08 Cylinder head cover 4 H 50 TICD.10



M08 Cylinder head cover 4 H 50 TICD.10

Pos.	Part no.	Description	Qty.	Notice	Add. notice
1	000002569900	COVER F. CYL. HEAD 4H50 OIL FILL. ON TOP	0... 1		
2	_noorder	No single order	-		
3	000050670801	OIL FILLER CAP	1		
4	000004303910	GASKET ZYL.HEAD COV	1		
5	000050661500	HEXSCREW M 6X 25 with flange	9	M 6X 25 DIN 6921-8.8A2B	
6	000002569800	COVER FOR CYL. HEAD 4H50	0... 1		
7	000002079000	COVER F. CYL.HEAD 4H50 50	0... 1	50°	
8	_noorder	No single order	-		